

Sensing Edge

Clima-Guard



TOUCH SENSITIVE SIGNALING

Clima-Guard functions exactly like a pressure sensitive electric edge, but with an added layer of protection. The protective loop seal conforms to irregularities in the floor and helps prevent air infiltration and serves as a weather barrier. Clima-Guard is made up of an ME112 sensing edge paired with a PVC loop seal that comes with a double slot mounting channel.



APPLICATIONS

- Commercial sectional doors
- Some high performance door types

FEATURES

- Easy to install
- Integrated loop seal
- Optimum size for 2+ inch thick surfaces
- Sealed assembly impervious to dust and debris
- Various mounting channel options
- Custom manufactured to user specifications for length and outlet location
- Patented Alumaglas™ for superior performance (electric option)
- UL 325 Recognized Component
- 1-year warranty
- Made in USA

610-869-4422
www.milleredge.com





Sensing Edge

Clima-GUARD

GENERAL SPECIFICATIONS

Color	● Black
Length	Order in 1/4 in. increments (manufacturing tolerance $\pm 1/4$ in.)
Maximum Length	Electric ⚡: 100 ft., Air-Wave 🌊: 60 ft.
Sensitivity	Nominal 6-10 lbf
Lead Wire	SJTO, 22 gauge, 2 ft. length
Wire Outlet Location	Left, right, end, or top
Electrical Maximum	24 volts AC/DC, 1/2 amp
Electrical Configuration	Normally open
Operating Temperature	Meets or exceeds UL requirement
Exterior Materials	Flexible PVC
Contact Element	Alumaglas™
Agency Approvals	c us UL 325 Recognized Component

OPTIONS

Configurations:

- Monitored
 - 2-Wire ⚡
 - 10K resistor
 - 8.2K resistor
 - Diode capacitor
 - 4-Wire ⚡
- Non-Monitored
 - 2-Wire ⚡

Other Options:

- Coil cord attached
- Extra lead wire
- Series connect option
- Mounting channels

OPTIONAL MOUNTING CHANNELS



ME112-C4
High Density PVC

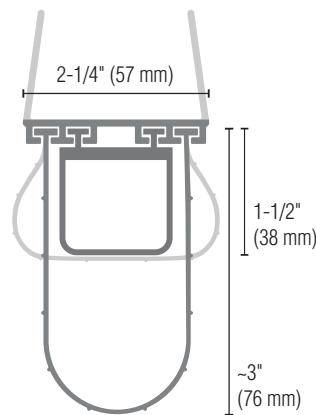


ME112-C43
High Density PVC

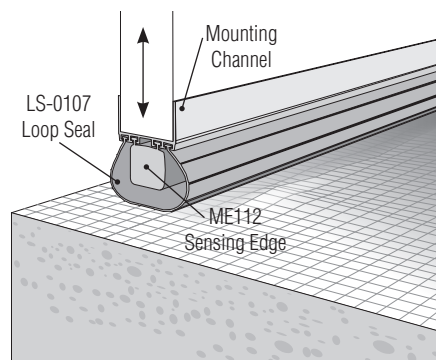


ME112-C47
High Density PVC

DIMENSIONS



PRODUCT FEATURES



RELATED PRODUCTS



MOUNTING CHANNELS



TRANSMITTERS/RECEIVERS



INTERFACE MODULES



COIL CORDS



RETRACTING REELS



JUNCTION BOXES



EDGE TESTER



Contact Miller Edge to ensure compatibility.

© Miller Edge, Inc. All rights reserved
CLIMAGUARD_20220307