

# Sensing Edge

## ME116



## TOUCH SENSITIVE SIGNALING

The ME116 sensing edge is specifically designed for 1-3/4 inch thick doors with a bottom retainer. This slide-in style edge features a double-T mounting design, which provides superior stability. ME116 is resistant to flame, water, and most common greases and oils. When touch activated, this pressure sensitive edge sends an immediate signal to controls to stop and/or reverse operation.



### APPLICATIONS

- Commercial sectional doors

### FEATURES

- Easy to install
- Optimum size for 1-3/4 inch thick surfaces
- Double-T design for added stability
- Mounts vertically or horizontally
- Sealed assembly impervious to dust and debris
- Custom manufactured to user specifications for length and outlet location
- Patented Alumaglas™ for superior performance (electric option)
- UL 325 Recognized Component
- 1-year warranty
- Made in USA

610-869-4422  
[www.milleredge.com](http://www.milleredge.com)





# Sensing Edge

## ME116

### GENERAL SPECIFICATIONS

Color	● Black
Length	Order in 1/4 in. increments (manufacturing tolerance $\pm 1/4$ in.)
Maximum Length	Electric ⚡: 100 ft., Air-Wave 🌊: 60 ft., Pneumatic 🌬️: 18 ft.
Sensitivity	Nominal 7-12 lbf
Lead Wire	SJTO, 18 gauge, 2 ft. length, or 22 gauge universal
Wire Outlet Location	Left, right, end, top, or universal end plug
Electrical Maximum	24 volts AC/DC, 1/2 amp
Electrical Configuration	Normally open
Operating Temperature	Meets or exceeds UL requirement
Exterior Materials	Flexible PVC
Contact Element	Alumaglas™
Agency Approvals	us UL 325 Recognized Component

### OPTIONS

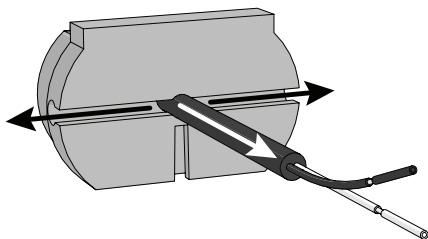
#### Configurations:

- Monitored
  - 2-Wire ⚡
  - 10K resistor
  - 8.2K resistor
  - Diode capacitor
  - 4-Wire ⚡
- Non-Monitored
  - 2-Wire ⚡
  - Air-Wave 🌊
  - Pneumatic 🌬️

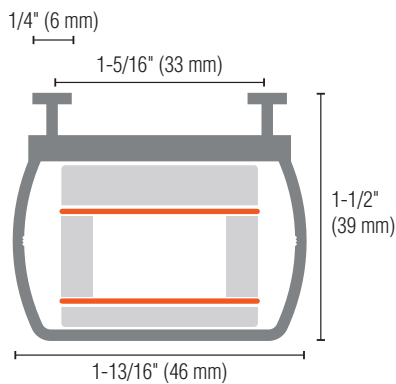
#### Other Options:

- Coil cord attached
- End flaps
- 10 ft. lead wire
- Universal end plug

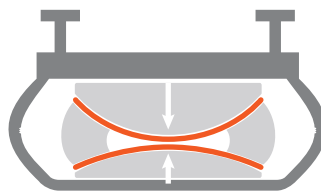
### OPTIONAL UNIVERSAL END PLUG



### DIMENSIONS



### ALUMAGLAS TECHNOLOGY



Miller Edge's patented Alumaglas and flexible switch assembly provide extremely low contact resistance for universal applications.

### RELATED PRODUCTS



TRANSMITTERS/RECEIVERS



INTERFACE MODULES



COIL CORDS



RETRACTING REELS



JUNCTION BOXES



EDGE TESTER



Contact Miller Edge to ensure compatibility.

© Miller Edge, Inc. All rights reserved  
ME116\_20201218