

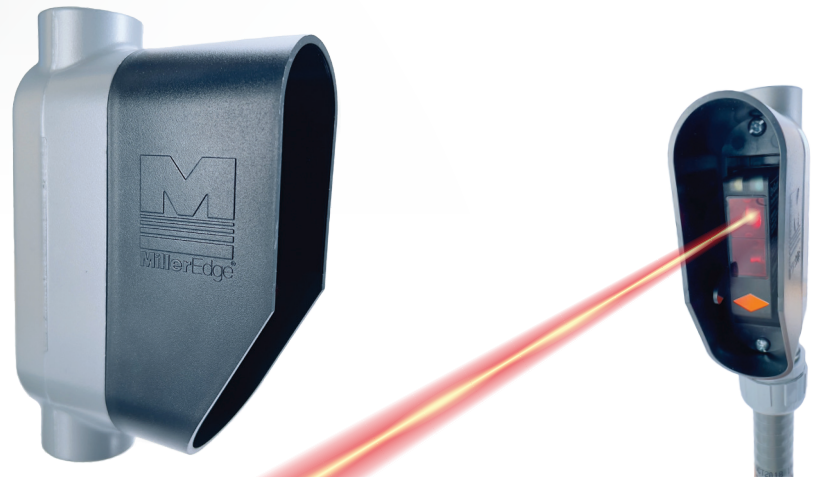
# Photo Eye Conduit Enclosure Kit

PE-CON-K10



## STREAMLINED INSTALLATION

The Photo Eye Conduit Enclosure Kit (PE-CON-K10) pairs seamlessly with TruGuard™ and OptiGuard™ photo optic systems by Miller Edge. The integrated 3/4" type-C conduit body provides a protective pathway for wires in installations using conduit while ensuring a clear connection to operator controls. This accessory features a hood designed to provide added shielding to the photo eye from sunlight, weather, dust, and debris. With a swivel bracket for easy alignment, the Photo Eye Conduit Enclosure Kit ensures optimal positioning of an accompanying photo eye or reflector.



### APPLICATIONS

- Installations where conduit is required or preferred:
  - Motorized commercial and industrial overhead doors
  - Automated vehicular gates

### FEATURES

- Fast to install
- Compatible with TruGuard™ (TG-R-K10) and OptiGuard™ (OG-T-K10) photo optic systems
- Utilizes a 3/4" type-C conduit body for easy system integration
- Provides a protective pathway for wiring
- Features an integrated hood for added shielding from sunlight, weather, dust, and debris
- Swivel bracket provides easy alignment
- Mounts from the bottom or top
- 1-year warranty
- Made in USA

IMAGE: Photo eye, conduit, and fitting not included.

610-869-4422  
www.milleredge.com





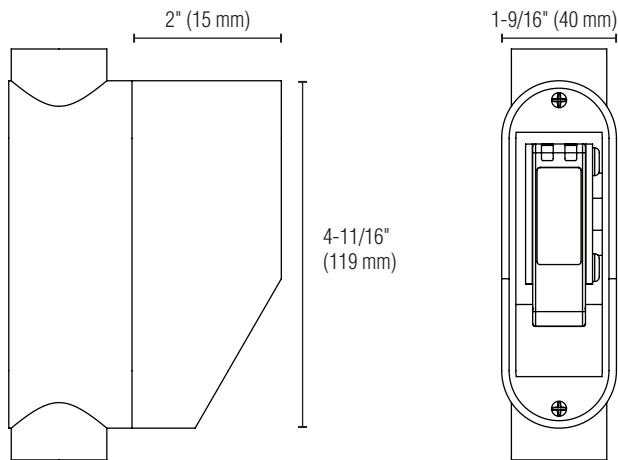
# Photo Eye Conduit Enclosure Kit

## PE-CON-K10

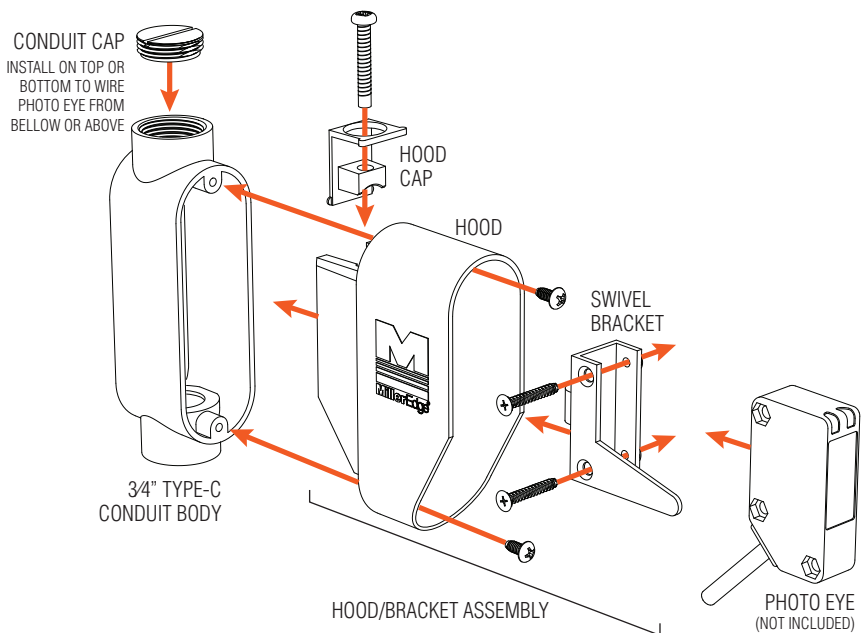
### GENERAL SPECIFICATIONS

Color	● Black
Measurements	1-9/16"W x 4-11/16"H x 2"D
Weight	8 oz.
Materials	Hood/bracket assembly: Polycarbonate Conduit body/cap: Aluminum

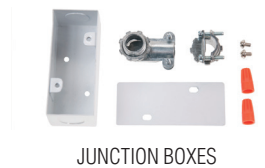
### DIMENSIONS



### INSTALLATION



### RELATED PRODUCTS



WARNING LABELS



Contact Miller Edge to ensure compatibility.

© Miller Edge, Inc. All rights reserved  
PE-CON\_Spec\_20240515